



## Emergency pull-wire switch Extreme ZS 71 2Ö/1S WVD / 100N KST IP69 NIRO Extreme Material number: 1189534 (Material number old: 71942914)

### Features/Options:

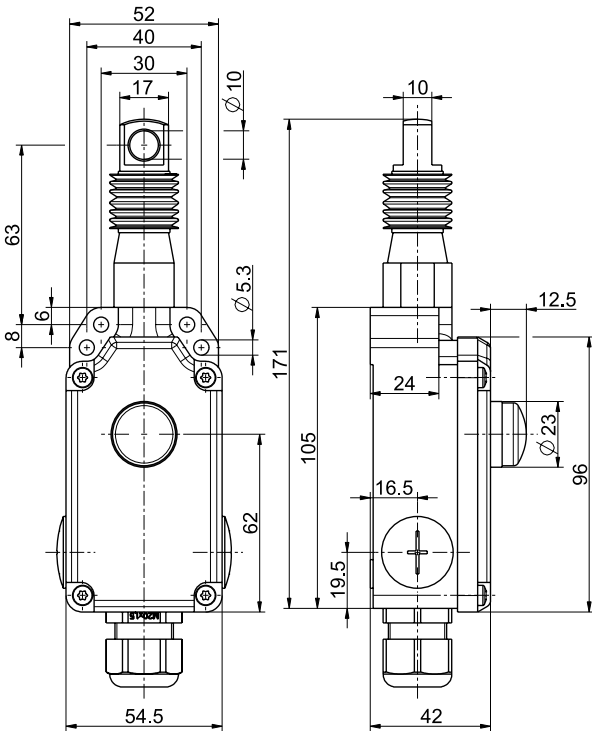
- Version with higher degree of protection IP 69: suitable for cleaning with 80 °C hot water at 100 bar pressure at a distance of 100 mm from different directions
- Pull-wire unit and screws made of stainless steel 1.4305 (NIRO)
- Thermoplastic enclosure
- 3 contacts
- Small design

### Notes

- 1 cable gland M20x1.5 - IP 69 included in delivery
- At 3 m distance intermediate wire supports are required. One wire thimble is provided.

- Wire length up to 35 m
- Release by push-button (VD)
- Watertight collar W for protection against penetration of dirt
- Wire pull and breakage detection
- Attention: Please state required international approvals with your order!

### Dimensions



### Technical data


Applied standards	EN 60947-5-1, EN 60947-5-5, EN ISO 13850, EN ISO 13849-1
Enclosure	thermoplastic, glass-fibre reinforced, impact resistant, self-extinguishing UL 94 V-0
Cover	thermoplastic, glass-fibre reinforced, impact resistant, self-extinguishing UL 94 V-0
Degree of protection	IP 66, IP 67, IP 69 (IEC/EN 60529) / IP 69K (ISO 20653)
B <sub>10d</sub> (10 % load)	200 000
T <sub>M</sub>	max. 20 years
Contact material	silver
Switching system	snap action, positive break NC contacts ⊖
Switching elements	2 NC/1 NO contact, type Zb
Connection	screw connection terminals
Cable cross-section	max. 2.5 mm <sup>2</sup> (incl. conductor ferrules)
Cable entry	3 x M20 x 1.5
Rated impulse withstand voltage U <sub>imp</sub>	6 kV
Rated operating isolation voltage U <sub>i</sub>	400 V
Conventional thermal current I <sub>the</sub>	2 A
Utilisation category	AC-15

Errors and omissions excepted.

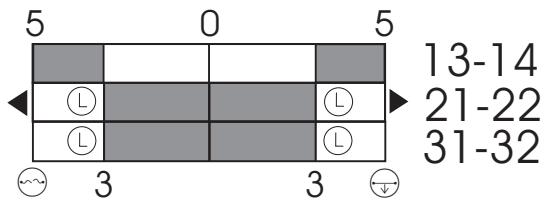


Emergency pull-wire switch Extreme  
 ZS 71 2Ö/1S WVD / 100N KST IP69 NIRO Extreme  
 Material number: 1189534 (Material number old: 71942914)

## Technical data

Rated operating current/ voltage $I_e/U_e$	2 A/250 VAC
Short-circuit protection	2 A gG/gN fuse
Ambient temperature	-25 °C ... +70 °C
Mechanical life	> 100 000 operations
Max. wire length	35 m
Approvals	
Weight	296 g

## Switching diagram



## Contact diagram

